



www.HEATHKIT.nu

[Start](#)

[About Me](#)

[The Heathkit
story](#)

[My Heathkits](#)

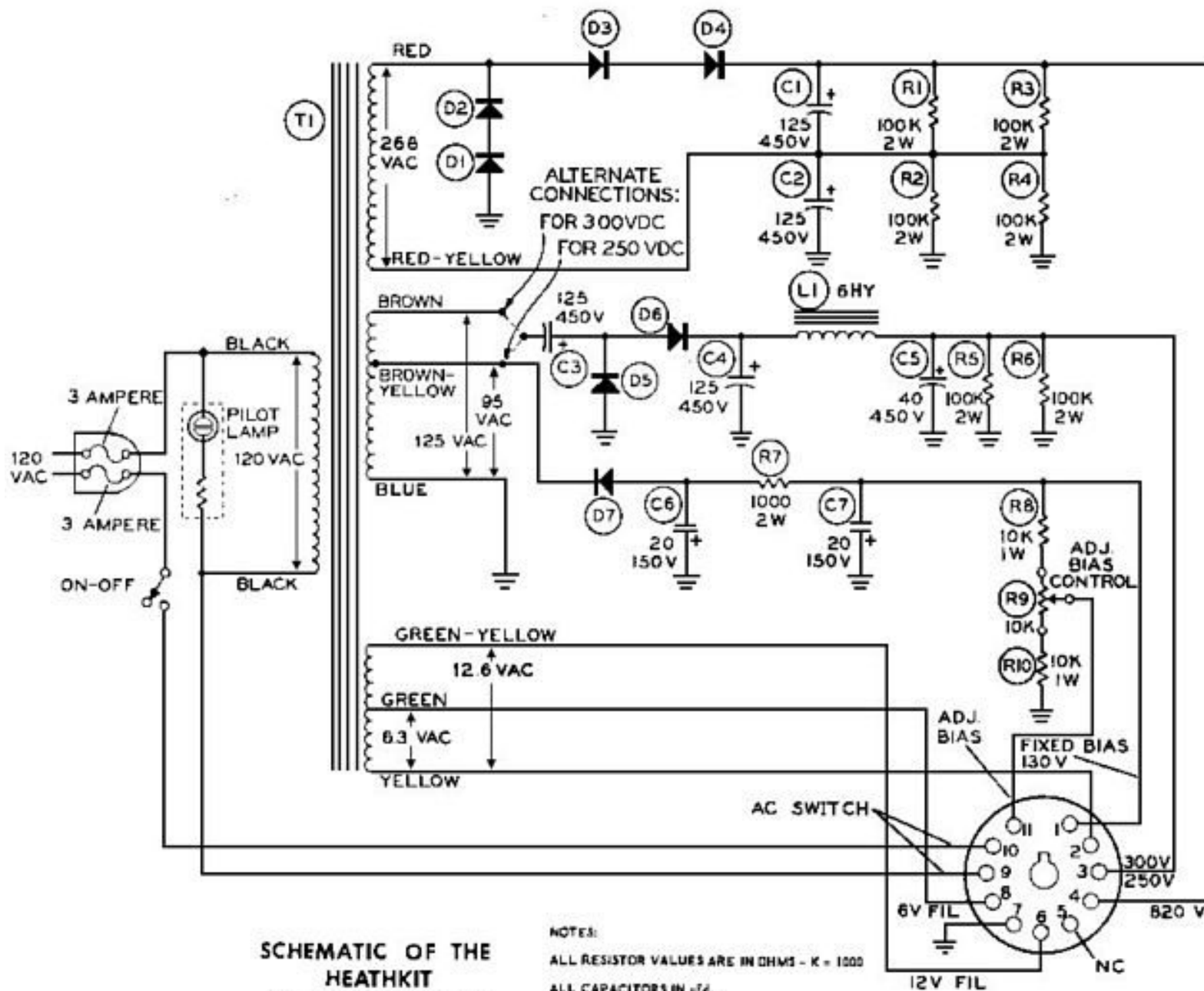
[Heathkit links](#)

[Other links](#)

HP-23B

The **HP-23** family of Power Supplies for the **SB**-series started with the **HP-23** in 1963. It was replaced by the **HP-23A** in 1968, which in turn was replaced by the **HP-23B** in 1973, which in turn was replaced by the **HP-23C** in 1978 and was produced until 1979. The Hewlett Packard Company did not let the Heath Company use **HP** as a designation for their products so the **HP-23C** then became **PS-23**. It can either stand alone or be placed inside the **SB-600** speaker box, like in my case. Even if these power supplies originally were meant for the **SB**-series they also became the standard power supply for the **HW-100/HW-101**.

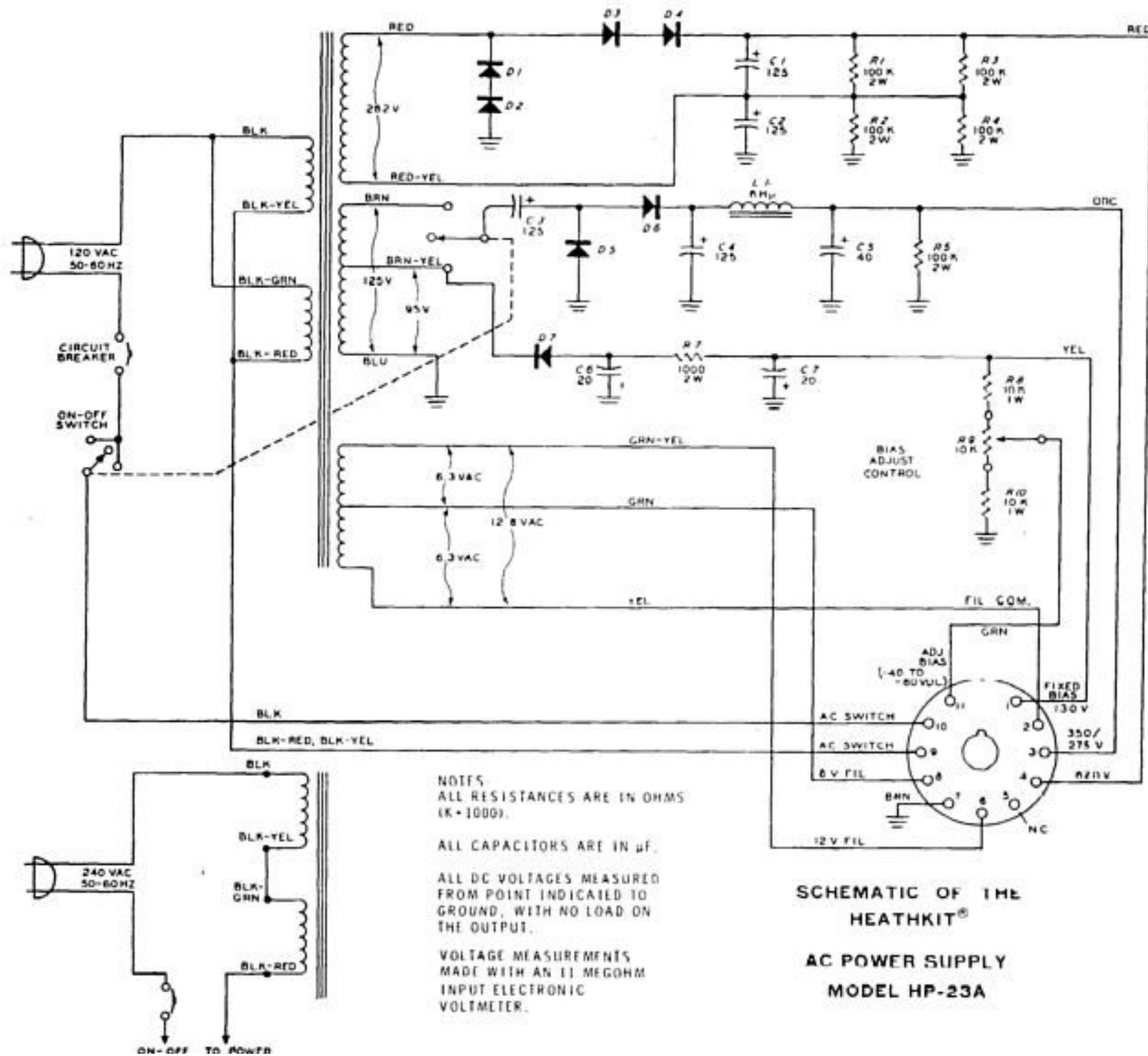


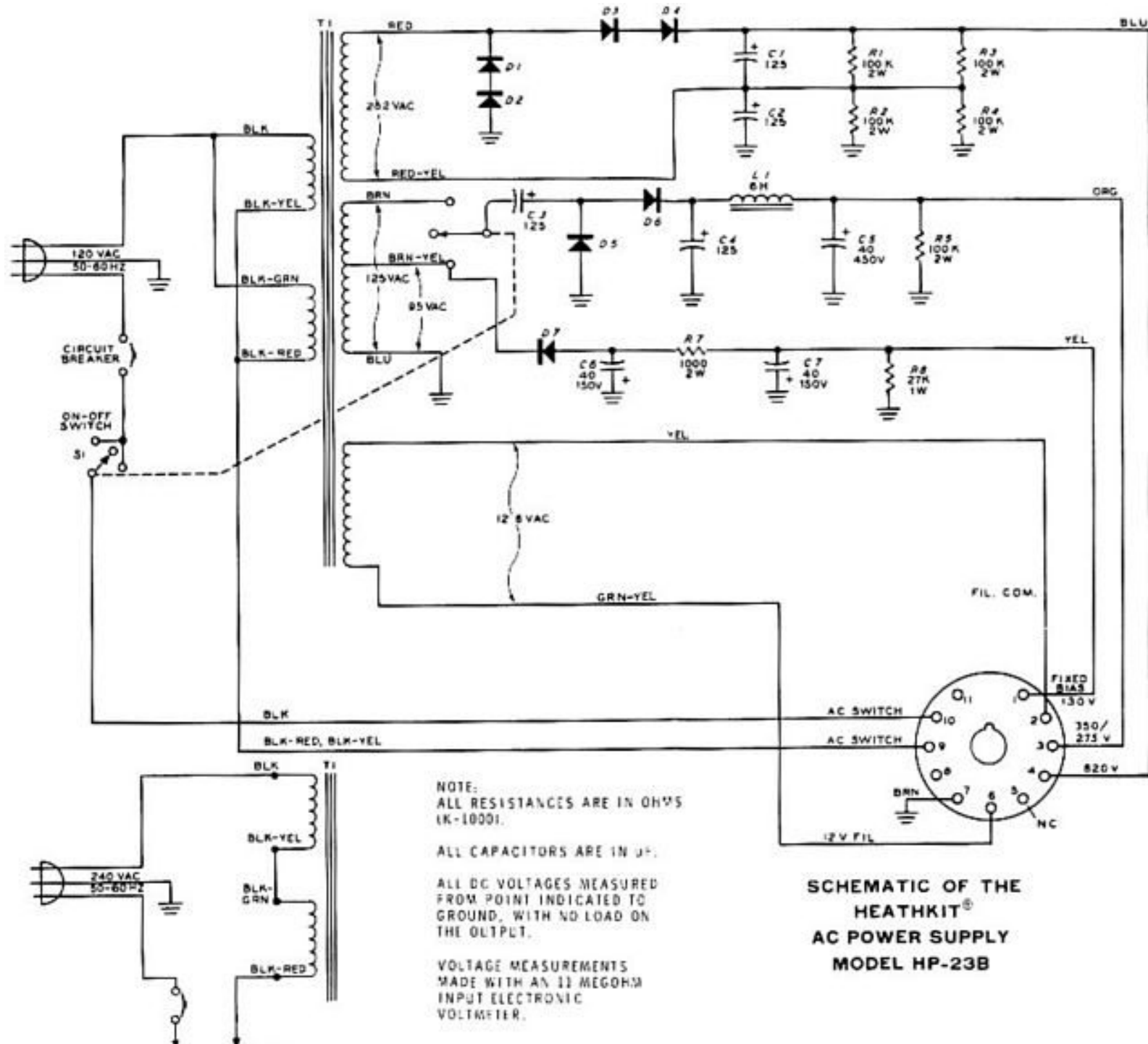


**SCHEMATIC OF THE
HEATHKIT
AC POWER SUPPLY**

MODEL HP - 23

NOTES:
 ALL RESISTOR VALUES ARE IN OHMS - K = 1000
 ALL CAPACITORS IN μF
 ALL DC VOLTAGES MEASURED FROM POINT INDICATED TO GROUND,
 VOLTAGES MADE WITH 11 MEGOHM INPUT VTVM.







Back to My Heathkits page