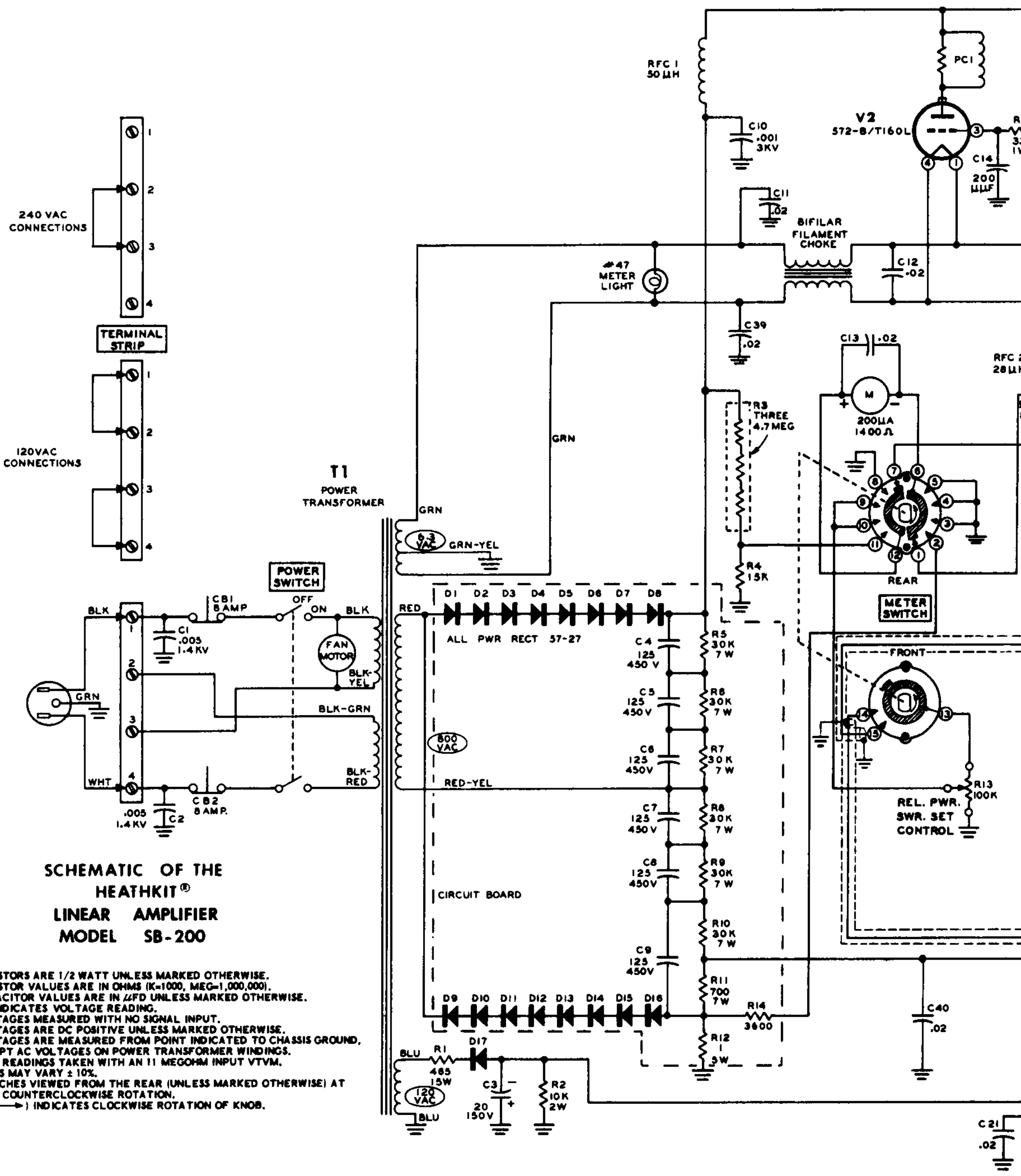


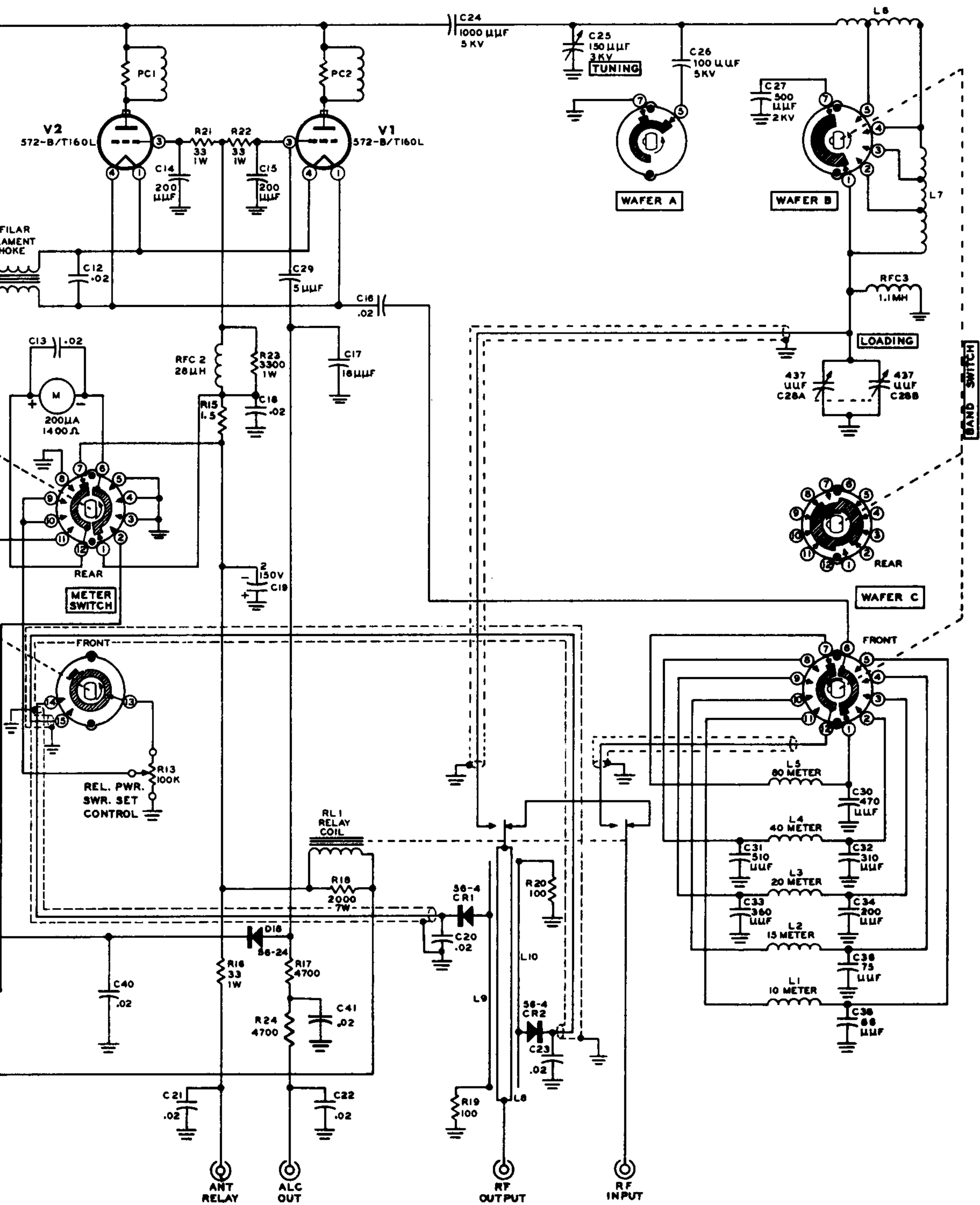
## SPECIFICATIONS

Band Coverage, . . . . .	80, 40, 20, 15, and 10 meters.
Maximum Power Input, . . . . .	SSB: 1200 watts P.E.P. CW: 1000 watts.
Driving Power Required, . . . . .	100 watts.
Duty Cycle, . . . . .	SSB: continuous voice modulation. CW: 50% (key down time not to exceed 5 minutes).
Third Order Distortion, . . . . .	-30 db or better at 1000 watts P.E.P.
Output Impedance, . . . . .	50 to 75 $\Omega$ unbalanced; variable pi-output circuit, SWR not to exceed 2:1.
Input Impedance, . . . . .	52 $\Omega$ unbalanced; broad-band pretuned input circuit requires no tuning.
Meter Functions, . . . . .	0-100 ma grid current (white area). 0-1000 ma plate current. 0-1000 relative power. 1:1 to 3:1 SWR. 1500-3000 volts high voltage.
Front Panel Controls, . . . . .	LOAD: 1 to 10. TUNE: 80, 40, 20, 15, and 10 meters. BAND: 80, 40, 20, 15, and 10 meters. RELative Power SENSitivity. Meter Switch: GRID, PLATE, REL PWR, SWR, and HV. Power Switch: OFF, ON.
Tube Complement, . . . . .	Two 572-B (or two T-160-L) in parallel.
Power Requirements, . . . . .	120 volts AC at 16 amperes (maximum). 240 volts AC at 8 amperes (maximum).
Cabinet Size, . . . . .	14-7/8" wide x 6-5/8" high x 13-3/8" deep.
Net Weight, . . . . .	35 lbs.



**SCHEMATIC OF THE  
HEATHKIT®  
LINEAR AMPLIFIER  
MODEL SB-200**

NOTES:  
 ALL RESISTORS ARE 1/2 WATT UNLESS MARKED OTHERWISE.  
 ALL RESISTOR VALUES ARE IN OHMS (K=1000, MEG=1,000,000).  
 ALL CAPACITOR VALUES ARE IN  $\mu$ F UNLESS MARKED OTHERWISE.  
 ○ INDICATES VOLTAGE READING.  
 ALL VOLTAGES MEASURED WITH NO SIGNAL INPUT.  
 ALL VOLTAGES ARE DC POSITIVE UNLESS MARKED OTHERWISE.  
 ALL VOLTAGES ARE MEASURED FROM POINT INDICATED TO CHASSIS GROUND,  
 EXCEPT AC VOLTAGES ON POWER TRANSFORMER WINDINGS.  
 VOLTAGE READINGS TAKEN WITH AN 11 MEGOHM INPUT VTVM.  
 VOLTAGES MAY VARY  $\pm 10\%$ .  
 ALL SWITCHES VIEWED FROM THE REAR (UNLESS MARKED OTHERWISE) AT  
 FULL COUNTERCLOCKWISE ROTATION.  
 ARROW (→) INDICATES CLOCKWISE ROTATION OF KNOB.



HEATHKIT LINEAR AMPLIFIER

Three large black knobs with silver-colored faces. The left knob has a scale from 1 to 10. The middle knob has a scale from 10 to 40 and a white curved arrow above it. The right knob has a scale from 10 to 40. Below the knobs is a black rocker switch with 'OFF' and 'ON' labels.



Two smaller black knobs with silver-colored faces. The left knob has labels 'PLATE', 'REL. PWR.', and '100V' above it, and '500' and 'OFF' below it. The right knob is labeled 'REL. PWR. SENS.' above it.







